

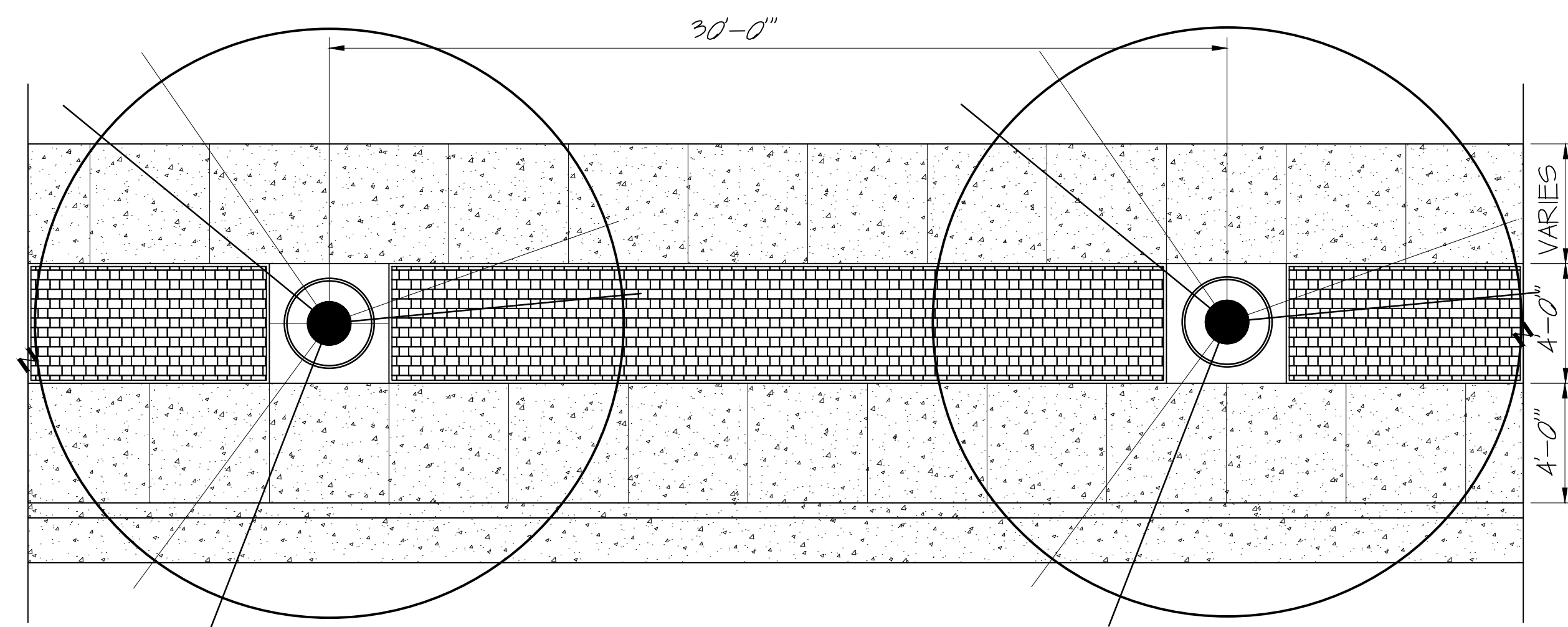
project:

Mno 395  
09-37430

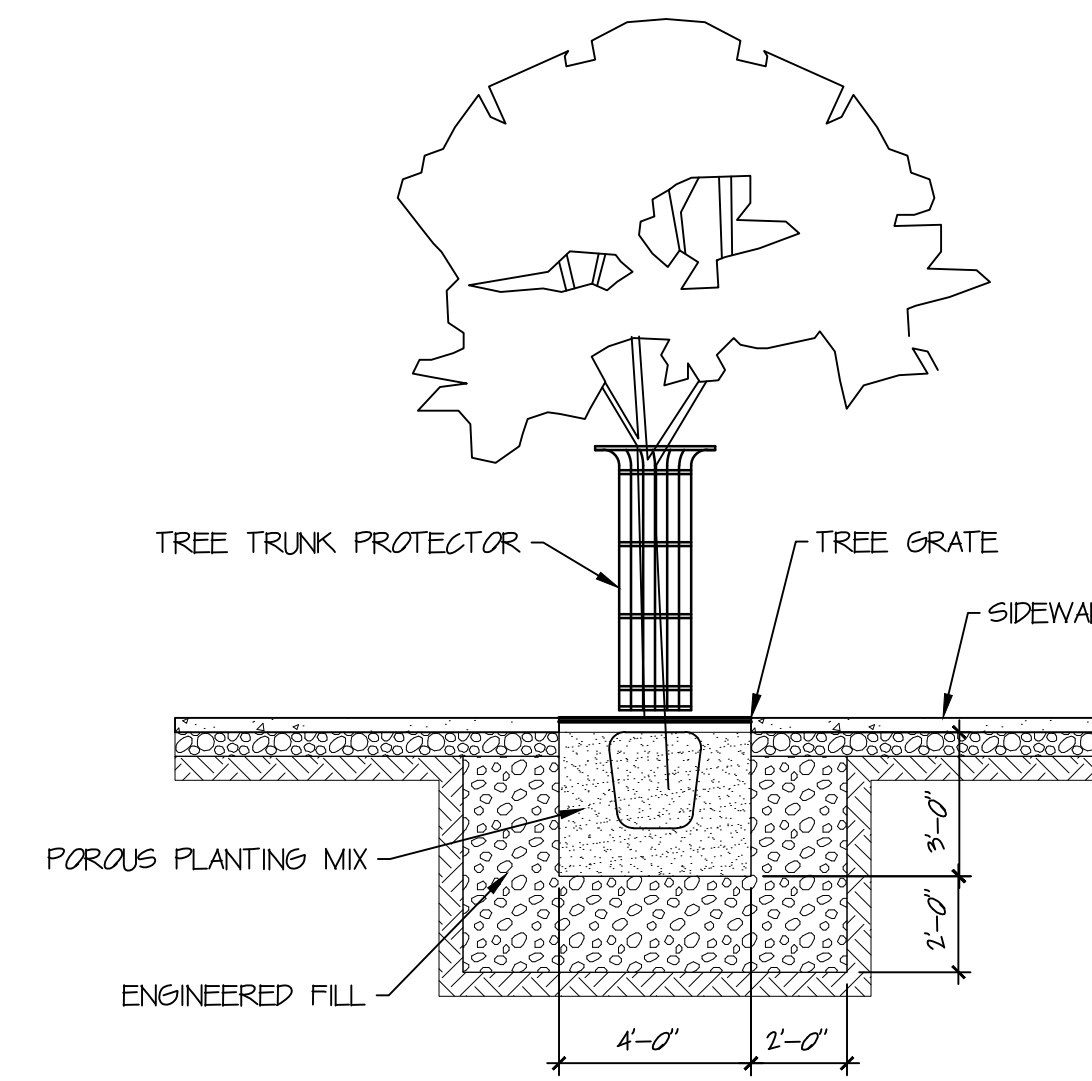
LEE VINING

client:

CALTRANS

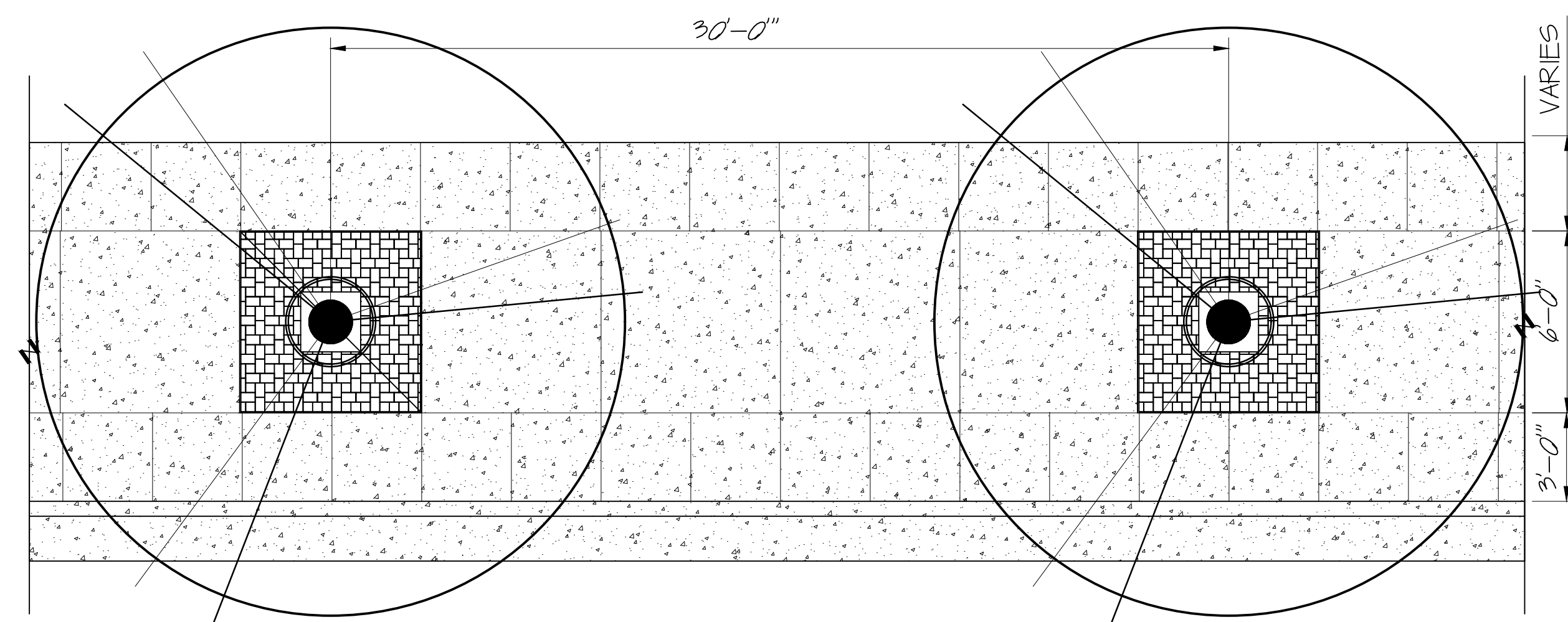


TYPICAL SIDEWALK LAYOUT

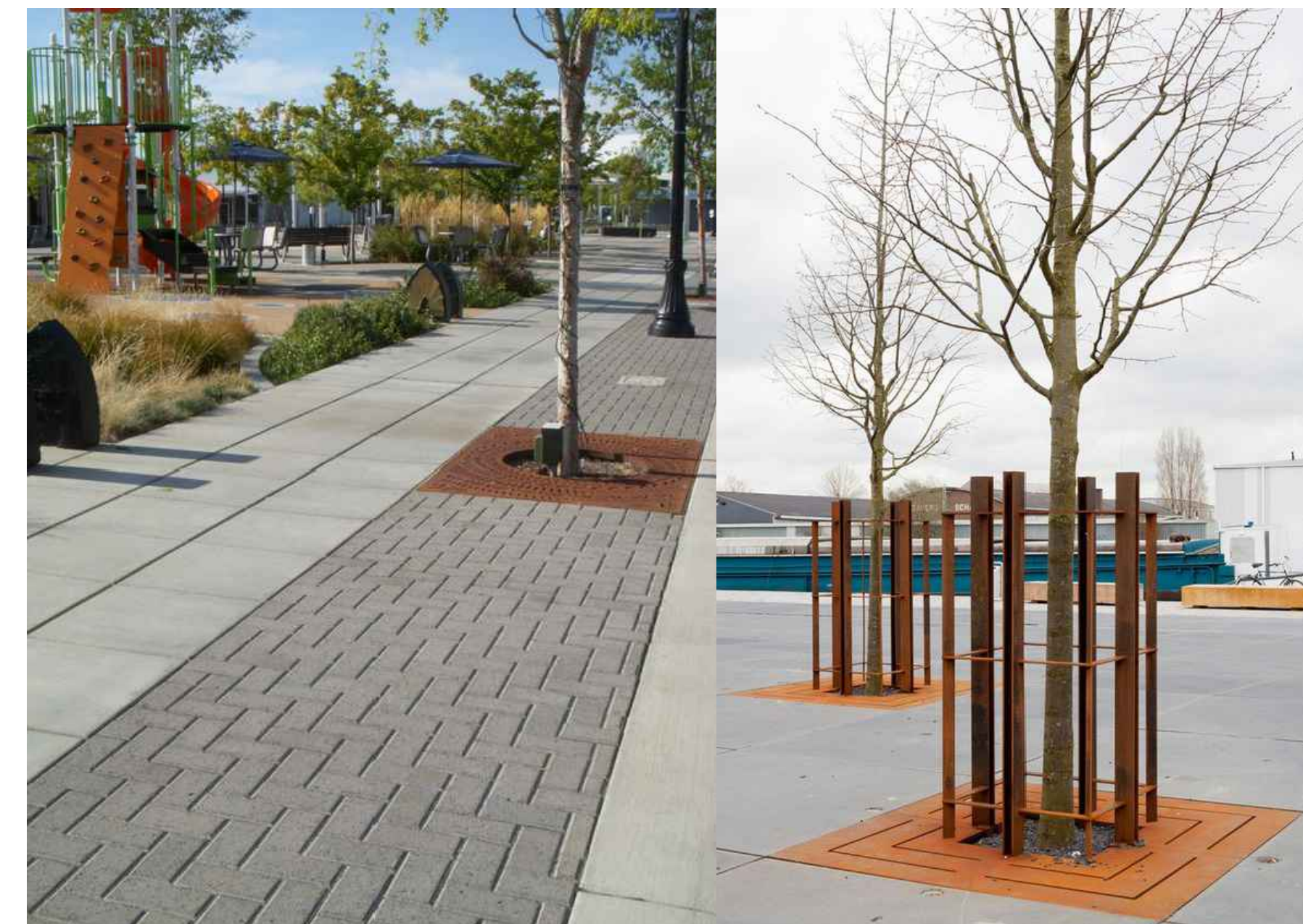


1 TREE WELL  
1/4" = 1'-0"

PL-PL-TRE-17



ALTERNATE SIDEWALK LAYOUT



designlab 252

P.O. Box 27616 Fresno, CA 93729  
Studio: 559.472.9966 Fax: 559.472.9969



drawn by: **KJ** checked by: **PB**

submittal:	date:
No. 1	05/09/2023
No. 2	XX/XX/XXXX
No. 3	XX/XX/XXXX
No. 4	XX/XX/XXXX

scale: 1"=10'-0"

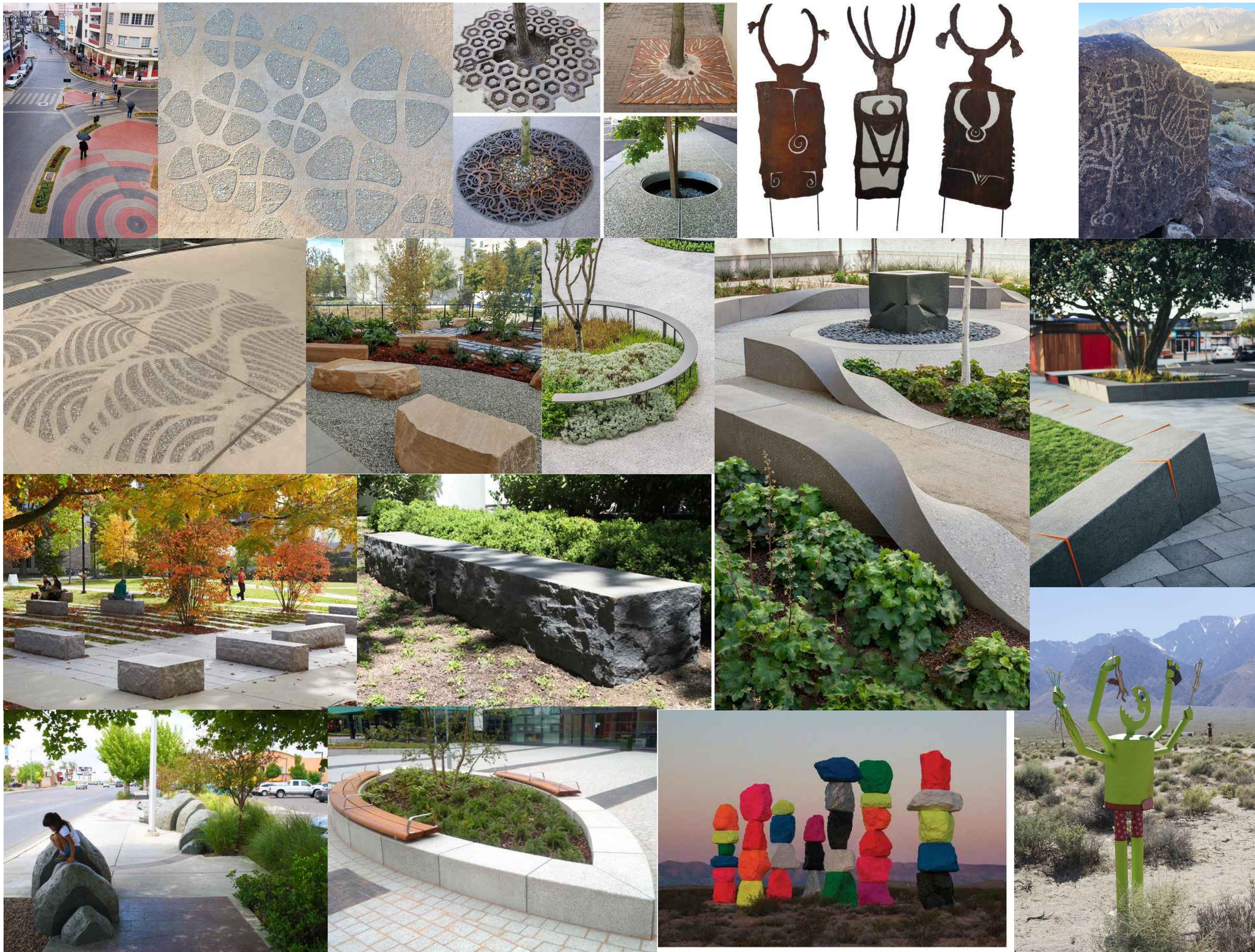
sheet title:

CONCEPTUAL  
LANDSCAPE  
PLAN

sheet no.

L-1

project no. 22-08-006



project:

Mno 395  
09-37430

LEE VINING

client:

CALTRANS

des:ignlab 252

P.O. Box 27616 Fresno, CA 93729  
Studio: 559.472.9966 Fax: 559.472.9969



drawn by: **KJ** checked by: **PB**

submittal:	date:
No. 1	05/09/2023
No. 2	XX/XX/XXXX
No. 3	XX/XX/XXXX
No. 4	XX/XX/XXXX

scale: 1"=10'-0"

sheet title:

**CONCEPTUAL  
LANDSCAPE  
PLAN**

sheet no.

**L-2**

project no. 22-08-006